

BURY

0 20 30 40 50 M



Chartered Architects
Chartered Building Surveyors
Interior Designers
CDM Services

Glentworth Court, Lime Kiln Close
Stoke Gifford, Bristol BS34 8SR

+44 (0)117 931 2062

www.kendallkingscott.co.uk

Project

The Maltings

Client

Sanctuary Group

Scale Paper Size Filename

1:1250 ISO A4 The Maltings.vwx

© Copyright

Do not scale this drawing

Rev Date

By Ap Note

Drawing Title

Location Plan

Project Number

Drawing Number

Revision

200881-1000

Date

Drawn

Checked

Purpose/Status

03/03/21

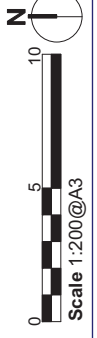
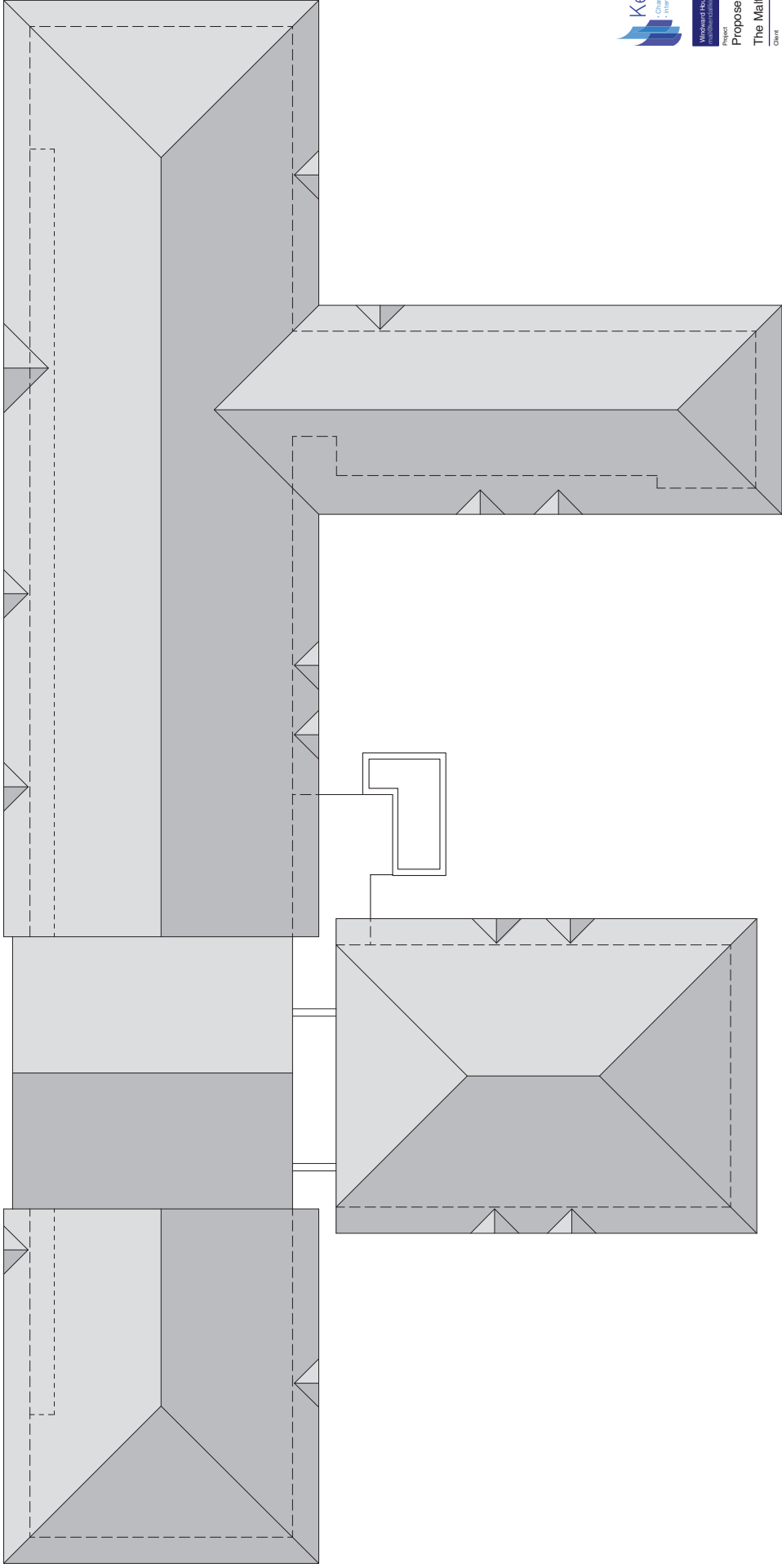
AC

CB

PLANNING

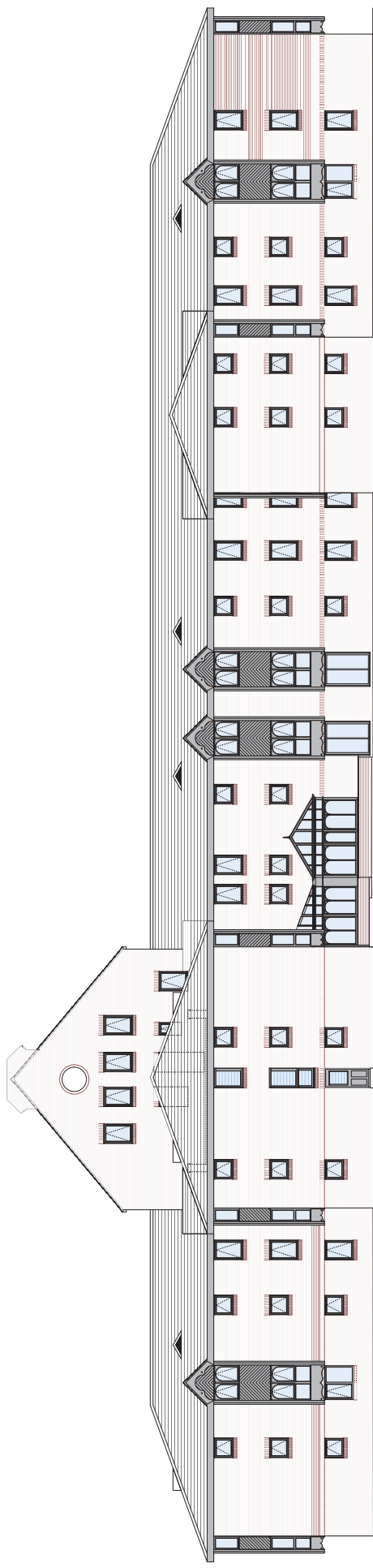
Check all dimensions and levels on site

Only to be used on the site for which designed. The electronic transmission of designs/information contained in this drawing is carried out entirely at the User's risk and Kendall Kingscott Ltd. will have no liability for any errors or inaccuracies arising therefrom. The production of amended or updated information from the said designs/information by the User is entirely the responsibility of the User and Kendall Kingscott Ltd. shall have no responsibility in respect thereof whatsoever.





Existing North Elevation

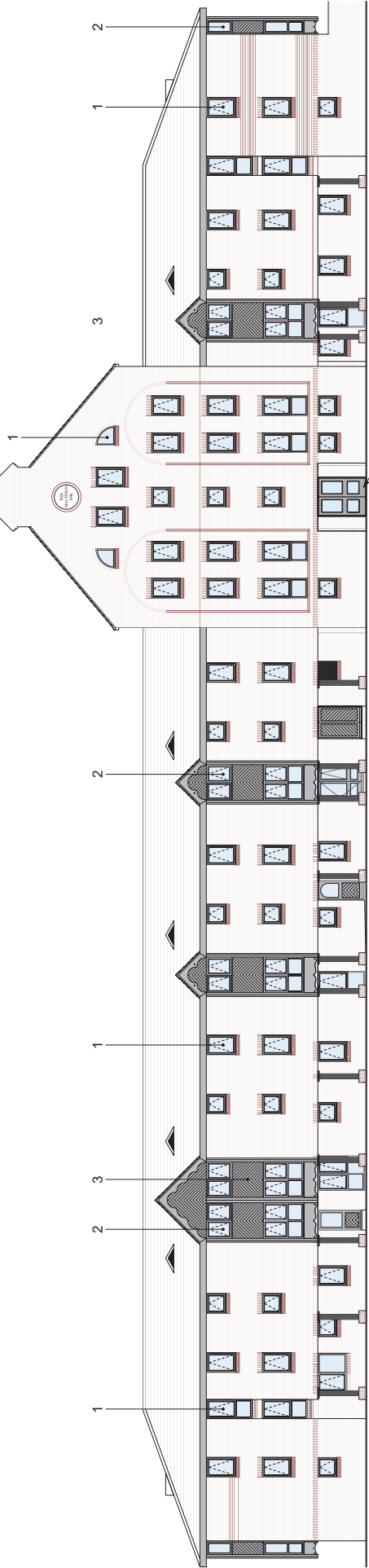


Existing South Elevation



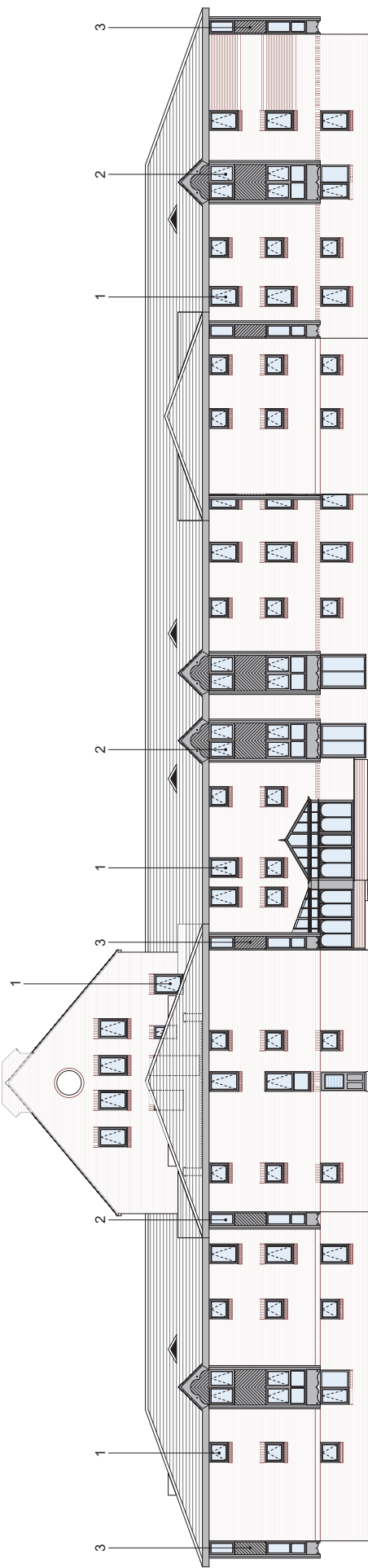
NOTE: All windows/conservatory to be replaced in uPVC to match existing windows style and colour.

© Copyright Kendall Kingscott Ltd
 Do not scale this drawing
 Check the date of this drawing. It may not be current for your project. The electronic version of this drawing is the only valid version. It is the user's responsibility to ensure that the drawing is the correct version. It is the user's responsibility to ensure that the drawing is the correct version. It is the user's responsibility to ensure that the drawing is the correct version.



Proposed North Elevation

- LEGEND**
1. uPVC double glazed windows.
 2. New aluminium framed bay window structure. Refer to drawing 130720-AP(2)13 & AP(2)14.
 3. Existing timber cladding to remain.
 4. All new uPVC windows to be Dual Attracta Grey.



Proposed South Elevation

Kendall Kingscott
 Chartered Architects - Chartered Building Surveyors
 - Interior Designers - CDM Co-ordinators - 3D Visualisation
 www.kendallkingscott.co.uk

Workshop Road, Evesham, Bucks, UK. OX20 2BQ
 01295 258800
 www.kendallkingscott.co.uk

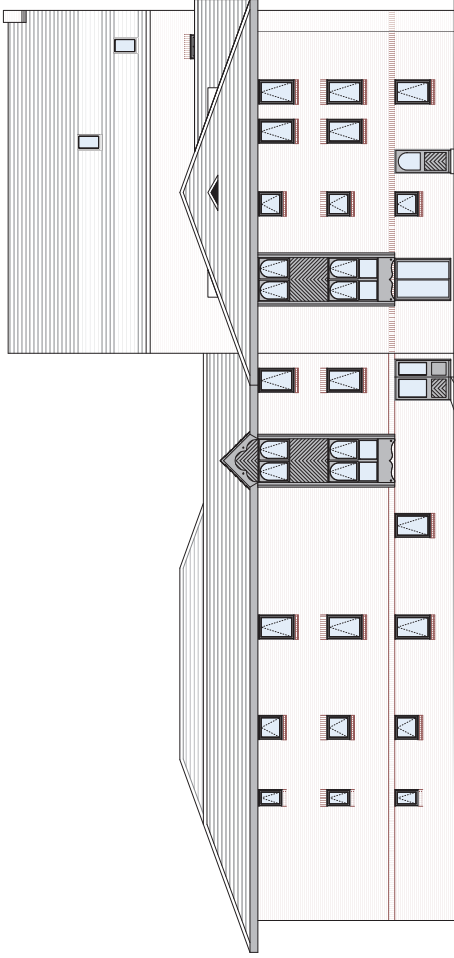
Project: Proposed Window Replacement at
 The Mallings, Tewkesbury
 Client: Sanctuary Housing

Drawn By: PROPOSED NORTH & SOUTH
 ELEVATIONS

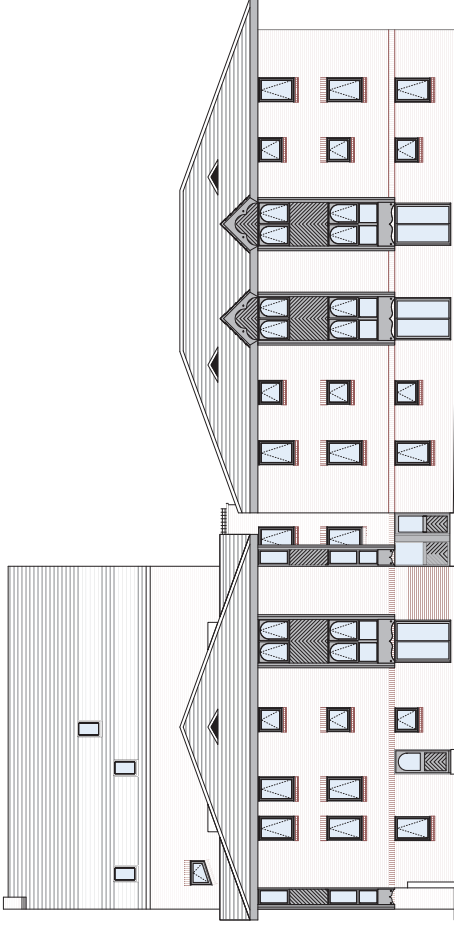
130720 AP(2)10 D

Scale: 1:100 @A1 / 1:200 @A3
 Date: JUNE '14
 Drawn: RT
 Checked: PS
 Status: PLANNING

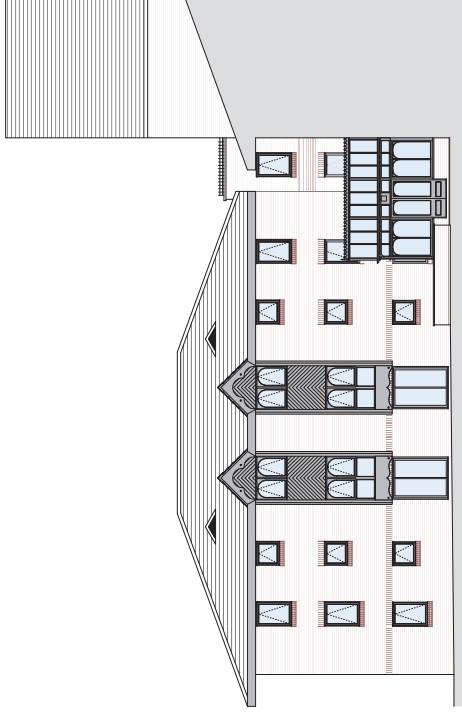




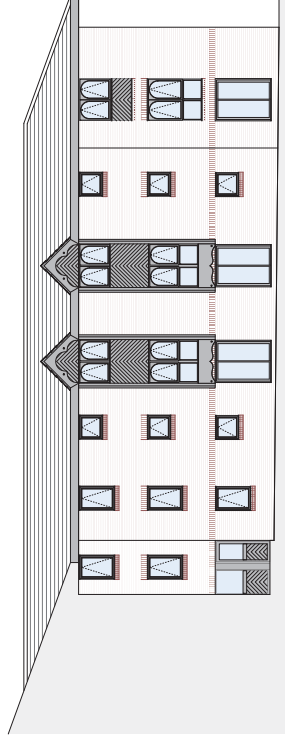
Existing East Elevation



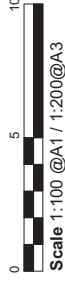
Existing West Elevation



Existing Inner East Elevation

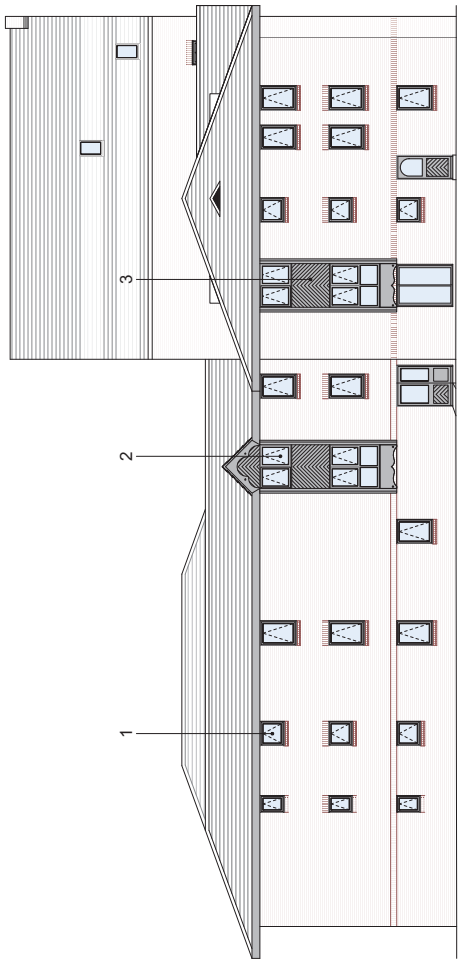


Existing Inner West Elevation

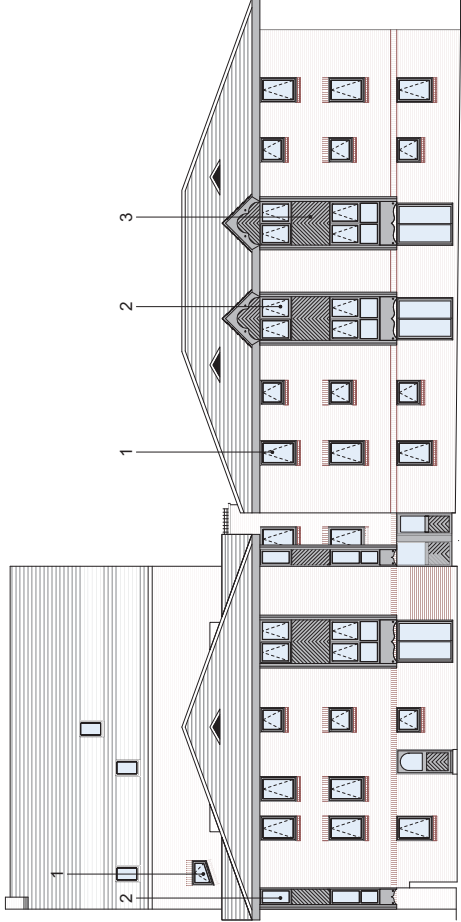


LEGEND

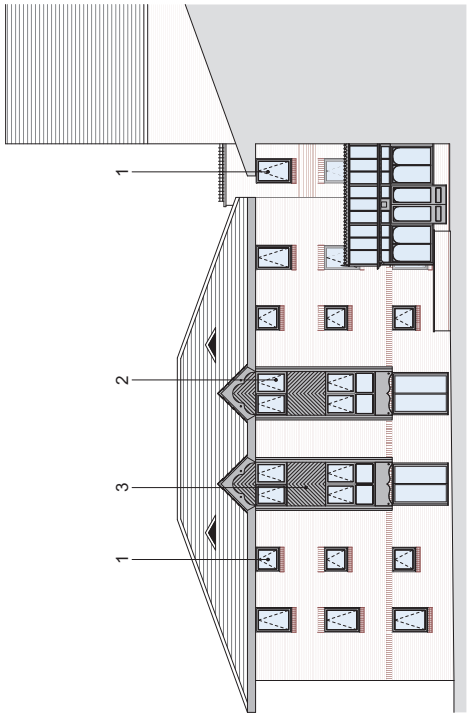
1. Bay window with timber cladding.
2. UPVC double glazed window units to be installed in existing timber framed bay window structure. Refer to drawing 130720-AP(2)13 & AP(2)14.
3. Existing timber cladding to remain.
4. All new UPVC windows to be Dual Glazed & Grey.



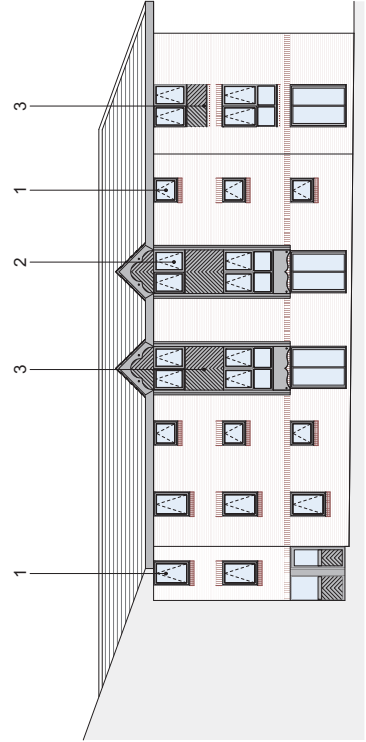
Proposed East Elevation



Proposed West Elevation

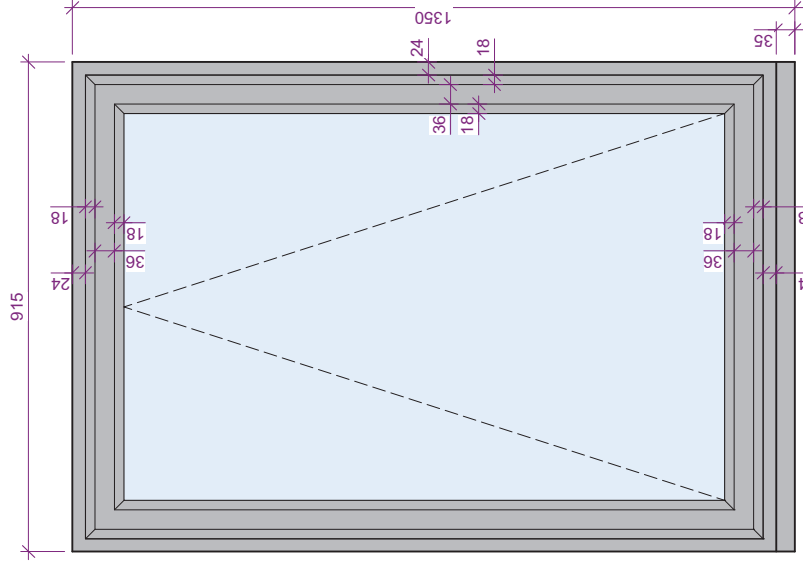


Proposed Inner East Elevation

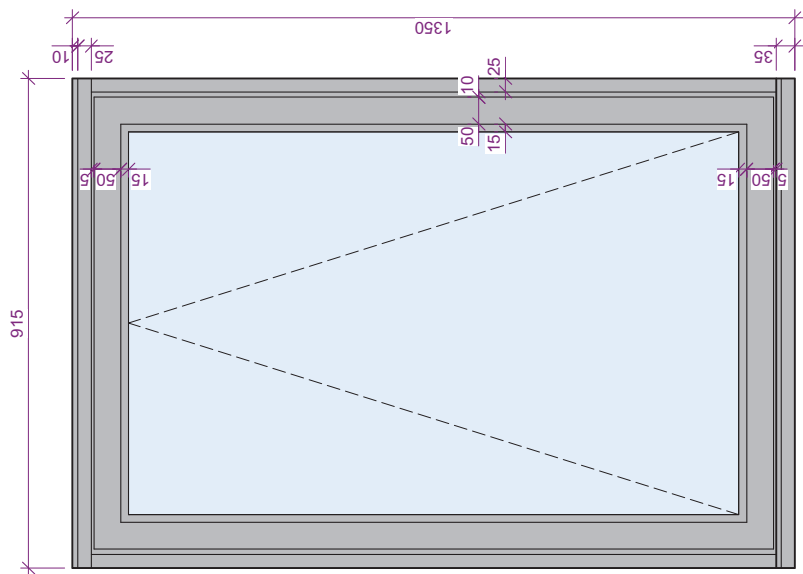


Proposed Inner West Elevation



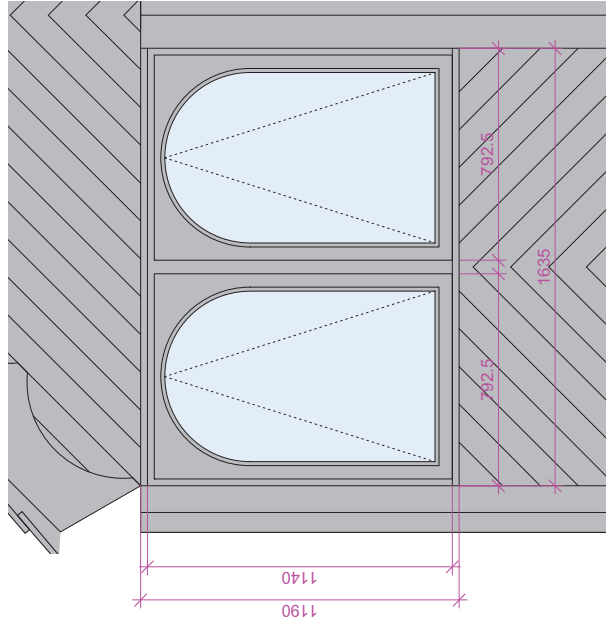


Proposed Window Elevation

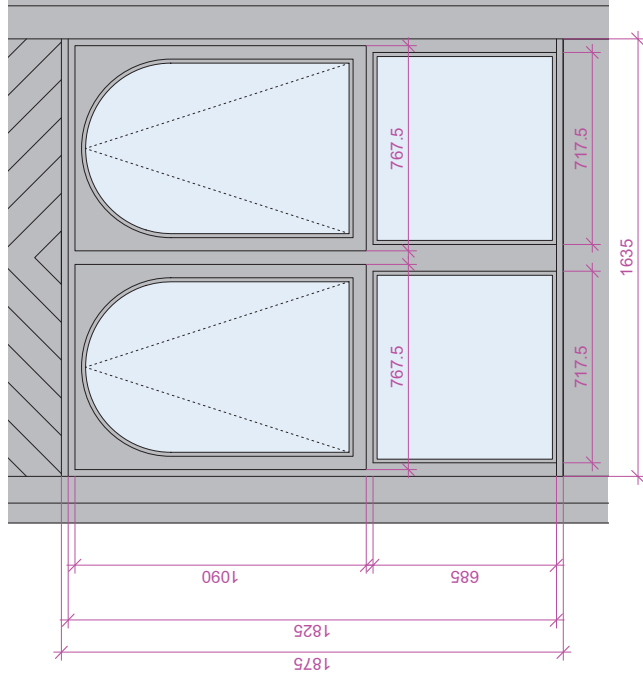


Existing Window Elevation

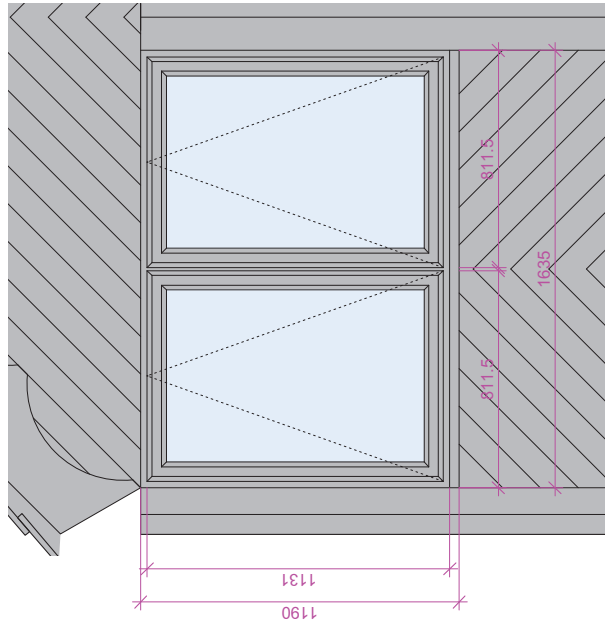
Indicative drawing only.
 Dimensions shown are a general indication and on site dimensions may vary slightly.
 Overall structural window opening sizes vary, this size shown as an example to illustrate style carried throughout.
 Proposed dimensions indicate the intended sizes, actual sizes may vary slightly depending on manufacturer.



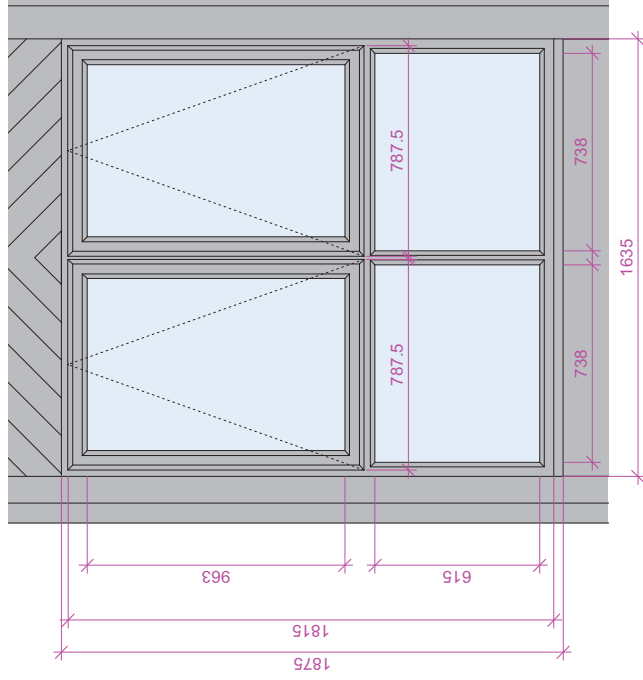
Existing Window Elevation - High Level



Existing Window Elevation - Low Level



Proposed Window Elevation - High Level



Proposed Window Elevation - Low Level